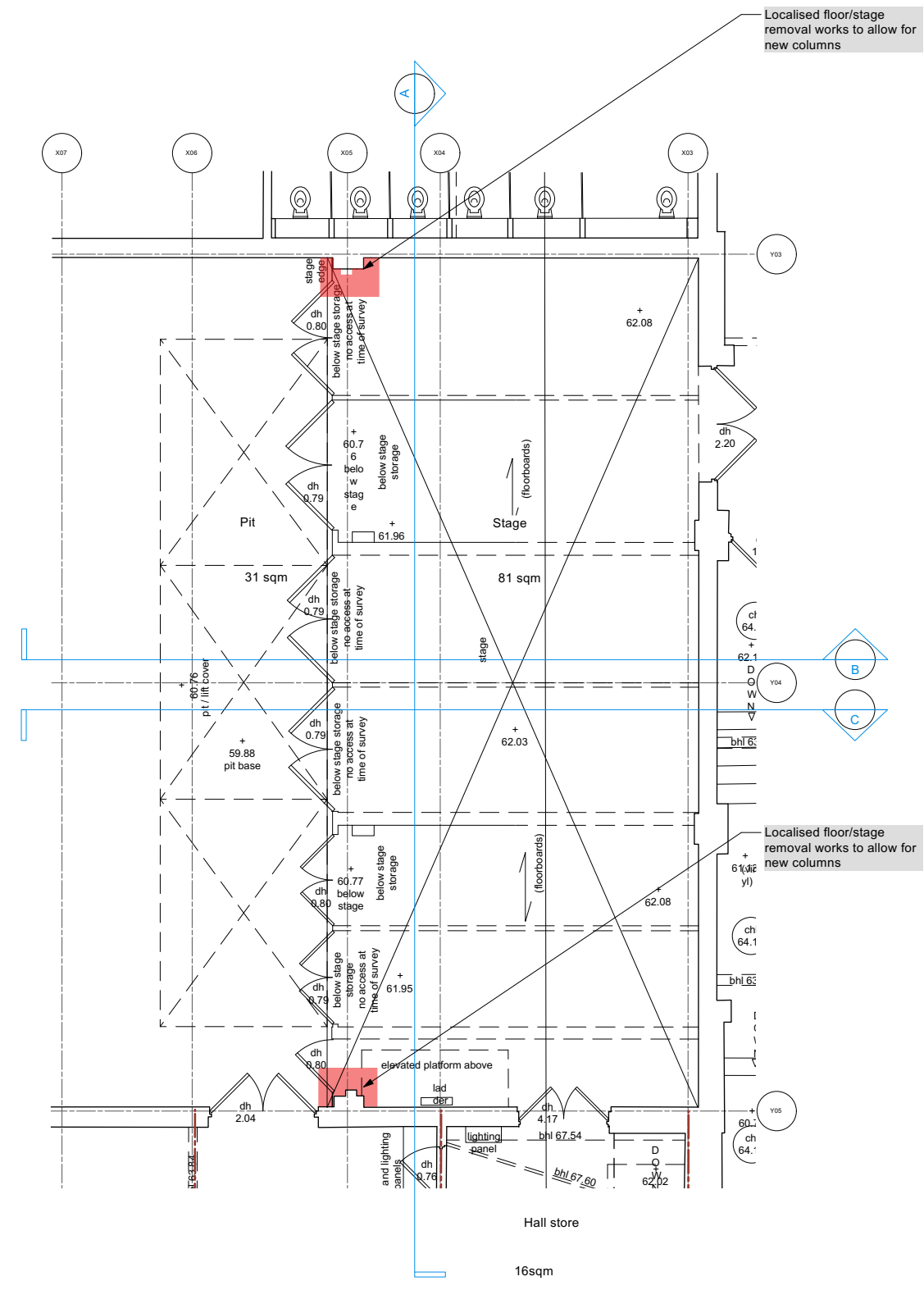


Standard Notes:

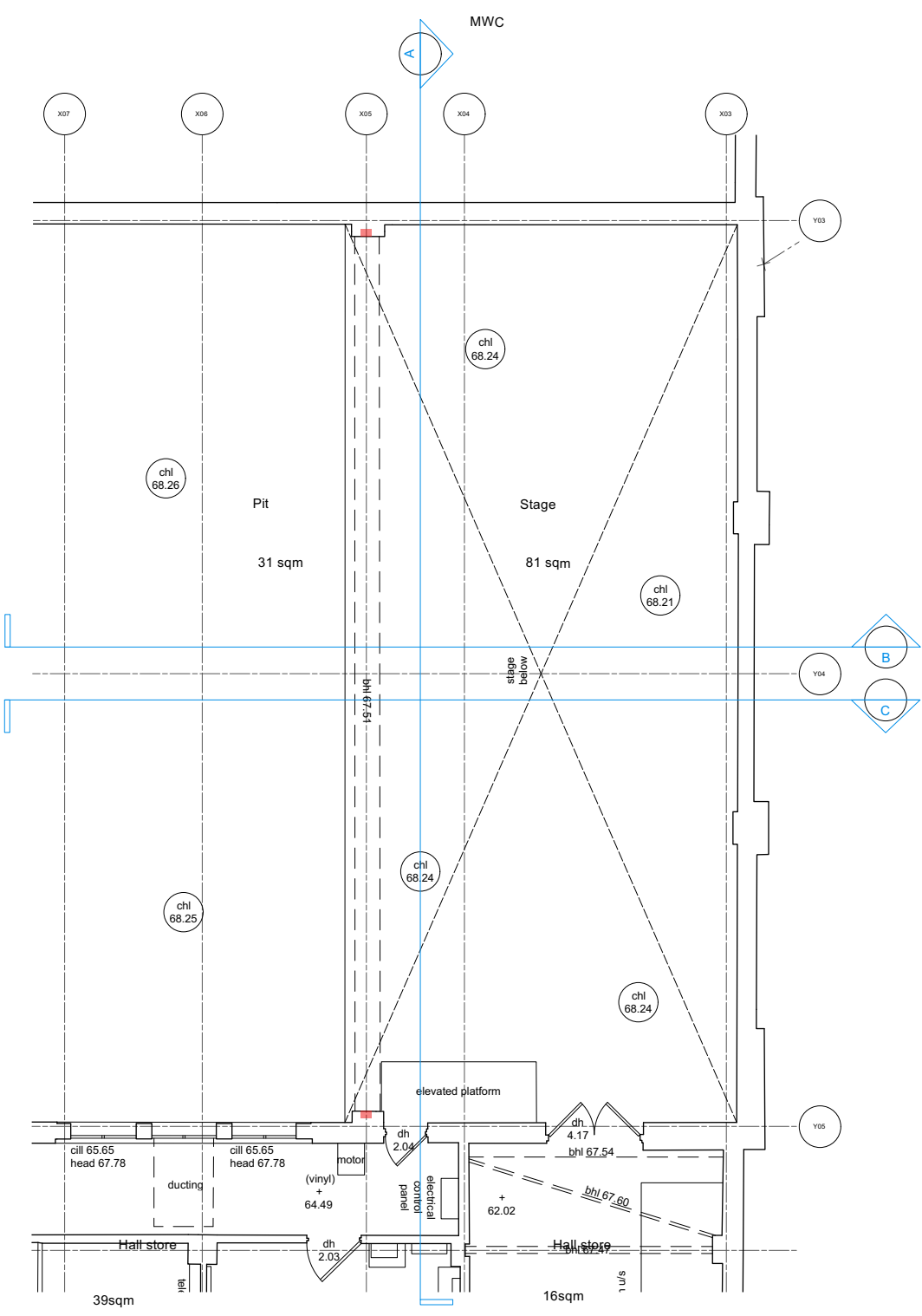
- (1) Figured dimensions only are to be used.
- (2) The Contractor must verify all dimensions on site before commencing any works, manufacture of all site items or commence site drawings.
- (3) This drawing and the contained designs remain the copyright of Foster Wilson Size LLP (FWS).
- (4) No license to reproduce or publish this drawing is granted unless agreed in writing with FWS or specified under our appointment terms.
- (5) Drawings scale is to be checked after any reproduction of the original drawing. Original drawing size typically ISO A1 or A2 check via 1:1 scale at top of drawing.
- (6) Any discrepancy on this drawing with other drawings on the project or the scope of works or specification is to be reported FWS for clarification.
- (7) Drawings are to be read in conjunction with all relevant architectural drawings and detailed specifications and permits.
- (8) This drawing not to be used for construction unless stated or issued otherwise.

© Copyright FWS 2023

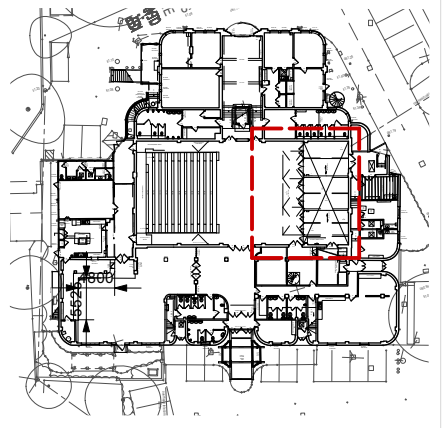
FWS File Path: \\S:\S:\P\Projects\Gateshead\JOB FILES\590 - Petersfield Festival Hall rev02\FBA CAD AND IMAGE FILES\04 PHASE 2 STAGE RIGGING WORKS\590 EXISTING DEMO SURVEY DRAWINGS current set.rvt



2 GROUND FLOOR
1:50@A1



3 FIRST FLOOR
1:50@A1



1 KEY PLAN
1:500@A1

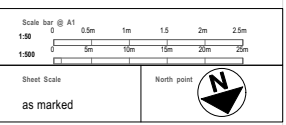
Document suitability code

S4 SUITABLE FOR STAGE APPROVAL

Document revision history

No.	Date	Drawn/Review	Revision Notes
P1	11/10/2023	HSJS	Issued to Theatre Planning
P2	19/12/2023	HSJS	Stage 4 issue
P3	25/01/2024	HSJS	Stage 4: (Technical)

NOT FOR CONSTRUCTION



Foster Wilson Size
3-4 Hoxton Works, 128 Hoxton Street, London, N1 6SH
Tel: 020 7424 1234
www.fosterwilsonsize.com

Project Title:
PETERSFIELD FESTIVAL HALL

Project Address:
HEATH RD PETERSFIELD GU31 4EA

Drawing Title:
EXISTING GROUND AND FIRST FLOOR STAGE PLANS

Project stage	Year
RIBA STAGE 4	2023

Drawing No.	Project No.	Design	Drawn	Level	Document Title	Revision
PH-590-2	-FWS-00	-ZZ-DR-A-0002	P3			